

# SolaLED

## Self-Contained Marine Navigation Light – 4 NM



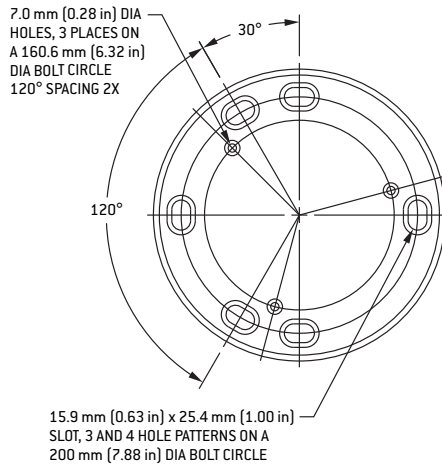
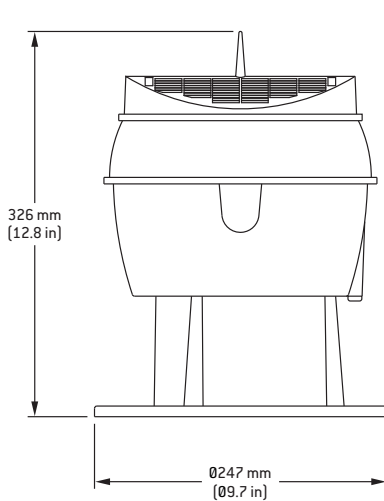
TIDELAND SIGNAL CORPORATION

SolaLED is a high intensity, self-contained, marine navigation light with its own solar power system and battery pack. Designed for trouble-free service in the harshest of marine environments, SolaLED utilises the latest LED technology, state-of-the-art optical design and manufacturing techniques. SolaLED features a tough, ultraviolet resistant, polycarbonate outer enclosure. A metalised polycarbonate reflector provides two options: narrow beam for long range applications or a wider beam for use on buoys. An efficient, high intensity LED powered by Tideland engineered electronic circuitry provides current controlled dc/dc power conversion. A unique method of on-site operational testing is achieved by use of a magnetic sensor, without requiring opening of lantern or external cable connection.

### FEATURES:

- **TWO REFLECTOR OPTIONS** – Narrow vertical divergence beam for maximum visual range in fixed locations or high stability buoy applications or a wider beam for channel marker buoys and short range jetty lights.
- **MAGNET ACTIVATED SWITCH (QUICKCHECK)** – Provides a means of (1) switching SolaLED on or off, (2) testing the flash character and battery, and (3) placing SolaLED into a rest mode for solar charging or floating battery charge. Activation is achieved by passing a magnetic pencil over an internal sensor. Test results are shown by coded flash sequences of the LED.
- **PROGRAMMING MODES** – SolaLED is factory set for power and required flash character. For customer and maintenance personnel, SolaLED easily can be re-configured utilising SignalView™ software available from Tideland.





**Bolt Pattern**

**SPECIFICATIONS**

Colours Available .....	Red, green, yellow, white and blue
Solar Module Rating .....	2.75 Peak Watts @ 12 VDC (Nominal)
Battery Rating .....	7.5 Ah @ 12 VDC
Visibility .....	360° (Omnidirectional)
Vertical Divergence .....	Narrow or Wide
Operating Temperature .....	-40° to +60° C
Height .....	326 mm (12.8 in)
Diameter .....	247 mm (9.7 in)
Weight .....	1.7 kg (3.6 lbs)
Material .....	Polycarbonate Plastic

NOTE: Specifications are subject to change.



**TIDELAND SIGNAL CORPORATION  
CORPORATE HEADQUARTERS**

P.O. Box 52430  
Houston, Texas 77052-2430, USA  
4310 Directors Row  
Houston, Texas 77092 USA  
PH: + 1 713-681-6101  
FAX: + 1 713-681-6233  
E-MAIL: hq@tidelandsignal.com

P.O. Box 52370, O.C.S.  
Lafayette, Louisiana 70505-2370, USA  
PH: + 1 337-269-9113  
FAX: + 1 337-269-9052  
E-MAIL: lafayettesales@tidelandsignal.com

TIDELAND SIGNAL CANADA LTD.  
#2170-21331 Gordon Way  
Richmond, B.C., Canada V6W 1J9  
PH: + 1 604-247-0988  
FAX: + 1 604-247-0987  
E-MAIL: sales@tidelandsignalcanada.com

TIDELAND SIGNAL PTE. LTD.  
Crystal Time Building  
16 Tannery Lane #04-00  
Singapore 347778  
PH: + 65 6333-0078  
FAX: + 65 6333-0079  
E-MAIL: sales@tidelandsignal.com.sg

TIDELAND SIGNAL LIMITED  
Kendal House  
Victoria Way  
Burgess Hill, Sussex, RH15 9NF, UK  
PH: + 44 (0) 1444 872240  
FAX: + 44 (0) 1444 872241  
E-MAIL: sales@tidelandsignal.ltd.uk

TIDELAND SIGNAL LTD. (UAE)  
FZS1 BB03, JAFZA South  
Jebel Ali Free Zone, Dubai, U.A.E.  
PH: + 971 4-886-0180  
FAX: + 971 4-886-0181  
E-MAIL: sales@tidelandsignal.ltd.uk

**WEB SITE: [www.tidelandsignal.com](http://www.tidelandsignal.com)**



Tideland Signal Corporation maintains ISO 9001:2000 accreditation. It is company policy to provide products and services that meet the highest standards of quality in the industry.

Membership Organisations

