

# MLED-120SC

## Self-Contained Marine Lantern



TIDELAND SIGNAL CORPORATION

MLED-120SC is engineered to utilise the advanced and cost-effective technology of LEDs. Solar modules and high-grade batteries are housed in a compact self-contained marine lantern, designed for low maintenance with a projected service life of 10 years before any significant maintenance is needed. This self-powered lantern is available with 256 flash characters, all IALA colours and a light performance range in excess of 4 NM.



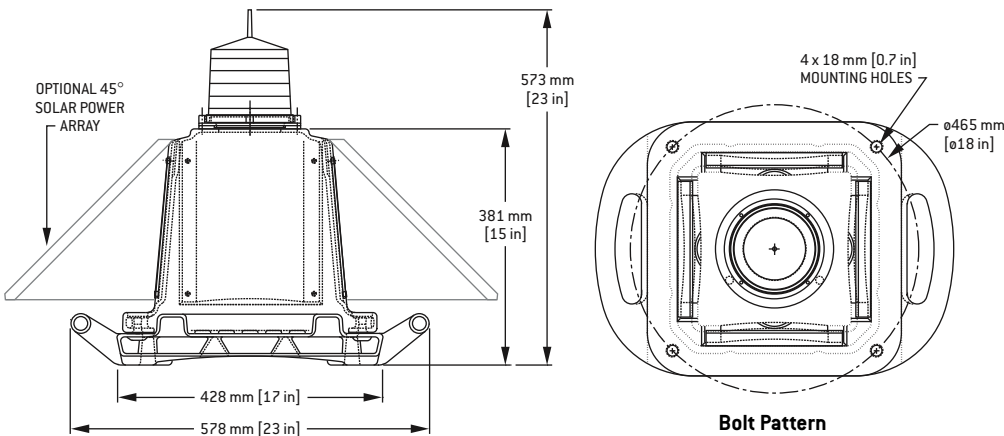
### FEATURES:

- **HIGH IMPACT OPTICAL GRADE LENS** – A wide vertical divergence lens for stable fixed navaid locations and buoy applications, even those buoys with severe heeling angles.
- **LED LIGHT SOURCE** – Consists of a one or two diode array tier with each tier containing 30 high intensity LEDs that are precision mounted in a Tideland designed refracting ring.
- **POWER** – One to four high efficiency, 12 volt 5.5 watt nominal solar modules, depending upon use and location. Combined with sealed lead-free battery backup.
- **CONSTRUCTION** – Rotationally moulded UV blended polyethylene, stainless steel screws and battery bracket and a high impact lens to protect against the harsh marine environment and vessel impact. Tamper-resistant design reduces threat of vandalism.
- **OPTIONAL SYNCHRONISATION MODULE** – The addition of a GPS module, located inside the lantern housing, automatically enables two or more MLED-120SC marine lanterns to flash in unison without running cables or additional radio links.
- **3 PROGRAMMING MODES** – Easy user programming, utilising Tideland's LEDCOMM from your own laptop or by optional radio remote controller, or Tideland will factory program to your chosen settings.

## SPECIFICATIONS

Range .....	exceeds 4 NM for all IALA colours
Vertical Divergence .....	7° at 50% peak intensity; 15° at 10% peak intensity
Colours Available .....	Clear, red, green and yellow
Service Life .....	In excess of 10 years
Power .....	1 to 5.5 watts @ 12 VDC
Number of LEDs .....	30 or 60
Lens Diameter .....	120 mm [5 in]
Lens Material .....	Polycarbonate
Lens Design .....	External optics with interior flute design
Solar Panels .....	Option of 1 to 4, 12 volt 5.5 watt nominal depending upon use and location
Solar Panel Tilt Angle .....	80° or optional 45° high power equatorial array
Battery Capacity .....	38 ampere-hour
Battery Type .....	Sealed lead acid
Construction .....	Rotationally moulded polyethylene
Base .....	Removable base
Mounting .....	4 mounting 18 mm [0.7 in] holes on a 465 mm [18 in] diameter bolt hole circle
Size .....	L 428 mm [17 in] x W 428 mm [17 in] x H 573 mm [23 in], plus an additional 75 mm [3 in] each for the two handles
Weight .....	20 kg [44 lb]
Operating Temperature .....	-20°C to +55°C
Relative Humidity .....	100% condensing
Atmosphere .....	Rated for continuous operation in a salty air
Wind .....	Designed to withstand wind speeds in excess of 300 kmph [180 mph]

NOTE: Specifications are subject to change.



### TIDELAND SIGNAL CORPORATION CORPORATE HEADQUARTERS

P.O. Box 52430  
Houston, Texas 77052-2430, USA  
4310 Directors Row  
Houston, Texas 77092 USA  
PH: + 1 713-681-6101  
FAX: + 1 713-681-6233  
E-MAIL: hq@tidelandsignal.com

P.O. Box 52370, O.C.S.  
Lafayette, Louisiana 70505-2370, USA  
PH: + 1 337-269-9113  
FAX: + 1 337-269-9052  
E-MAIL: lafayettesales@tidelandsignal.com

TIDELAND SIGNAL CANADA LTD.  
#2170-21331 Gordon Way  
Richmond, B.C., Canada V6W 1J9  
PH: + 1 604-247-0988  
FAX: + 1 604-247-0987  
E-MAIL: sales@tidelandsignalcanada.com

TIDELAND SIGNAL PTE. LTD.  
Crystal Time Building  
16 Tannery Lane #04-00  
Singapore 347778  
PH: + 65 6333-0078  
FAX: + 65 6333-0079  
E-MAIL: sales@tidelandsignal.com.sg

TIDELAND SIGNAL LIMITED  
Unit B, Kendal House  
Victoria Way  
Burgess Hill, Sussex, RH15 9NF, UK  
PH: + 44 1444 872240  
FAX: + 44 1444 872241  
E-MAIL: sales@tidelandsignal.ltd.uk

TIDELAND SIGNAL LTD. (UAE)  
P.O. Box 18357  
Jebel Ali Free Zone, Dubai, U.A.E.  
PH: + 971 4-883-076  
FAX: + 971 4-883-079  
E-MAIL: sales@tidelandsignal.ltd.uk

**WEB SITE: [www.tidelandsignal.com](http://www.tidelandsignal.com)**



Tideland Signal Corporation maintains ISO 9001:2000 accreditation. It is company policy to provide products and services that meet the highest standards of quality in the industry.

#### Membership Organisations



PRINTED IN U.S.A.

© Tideland Signal Corporation 2005 –  
5MBD3R2