

# FA-85801 SELF-CONTAINED LIGHT



Featuring a highly efficient Fresnel-type acrylic drum lens system, the FA-85801 is a rugged & compact marine signal lantern. It is particularly suited for buoy applications because of its wide vertical divergence.

## **RANGE**

See the next page for example locations. Contact Automatic Power to get a complete set of tables for your location.

## **FLASH CHARACTERISTICS**

255 flash codes preset at factory to customer's specifications plus 1 special programmable position. All selector switches are located on the top of the LED assembly and are accessible by removing the lens from the quick-release fixture.

## **CURRENT SETTING**

15 fixed levels plus 1 programmable level. Preset at factory to customer specifications. Current adjustable by the selector switch in the same way as the flash characteristics. Uniflash ready, can be fitted with Uniflash-3A for world wide synchronization. Uniflash-3A has only negligible impact on battery usage.

## **ELECTRONICS**

- High-efficiency TracSwitcher current controls. 82% of the battery current reaches the LED array on flash. 2 milliamp idle current between flashes.
- Standard 6-volt system giving greater flexibility in selection of batteries.
- Software programmable: Photocell thresholds, special flash rhythm, specialized current settings and solar charge control voltage setting.

## **LENS**

- 85mm 360° visibility polycarbonate, high efficiency fresnel lens with a wide 17 degree vertical divergence. Unit may be supplied with colored lenses to enhance the daytime signaling performance.

## **LEDS**

- State of the art high flux STABRITE LED unit. LEDs mounted in a cluster to approximate a marine signal lamp located at the focal point of the lens. Life expectancy in excess of 100,000 hours depending on current density.

## **BATTERY OPTIONS**

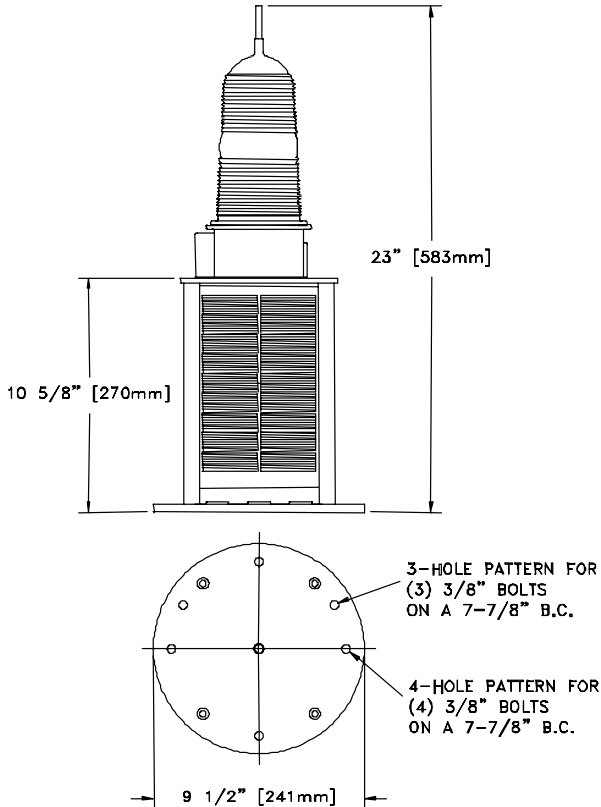
- 32 Amp-Hr 6Volt battery pack or 16 Amp-Hr 6 Volt battery pack for cold climates.

## **CONSTRUCTION**

- Corrosion resistant & watertight with hydrophobic vent in the battery compartment. Extruded aluminum frame with UV & salt water resistant paint. Tamper resistant screws.
- Four, 3.2 watt, heavy-duty tempered glass-EVA encapsulated solar modules designed for extended service in the marine environment.
- Solar charge controller included.

**Patent No.: US 7,111,961 B2**

# FA-85801 SELF-CONTAINED LIGHT



## WEIGHT

- With 32 Amp-Hr battery 27lb / 12 kg
- With 16 Amp-Hr battery 21lb / 10 kg

## Typical Performance:

### Nassau, Bahamas

0.4 – 3.6 Flash Code @T=.85

	Red	Green	White	Yellow
Range mi.	5.4	5.0	4.2	4.4
Candela	47	39	24	27

0.5 – 2.0 Flash Code @T=.85

	Red	Green	White	Yellow
Range mi.	5.4	4.9	4.0	4.4
Candela	49	36	21	28

### Seattle, Washington, USA

0.4 – 3.6 Flash Code @T=.74

	Red	Green	White	Yellow
Range mi.	3.6	3.3	2.2	2.8
Candela	26	20	7	13

0.5 – 2.0 Flash Code @T=.74

	Red	Green	White	Yellow
Range mi.	3.0	2.6	1.3	2.2
Candela	16	11	2	7

### Hong Kong, China Campeche, Mexico

0.4 – 3.6 Flash Code @T=.74

	Red	Green	White	Yellow
Range mi.	4.3	4.1	3.5	3.6
Candela	47	39	24	27

0.5 – 2.0 Flash Code @T=.74

	Red	Green	White	Yellow
Range mi.	4.4	4.0	3.2	3.6
Candela	49	36	19	26

### Denmark

0.4 – 3.6 Flash Code @T=.74

	Red	Green	White	Yellow
Range mi.	2.6	2.2	1.3	2.0
Candela	10	7	2	5

0.3 – 2.7 Flash Code @T=.74

	Red	Green	White	Yellow
Range mi.	2.5	2.2	1.3	1.8
Candela	9	7	2	4

[www.automaticpower.com](http://www.automaticpower.com)

**Pharos Marine Ltd.**  
Steyning Way, Hounslow  
Middlesex, **England** TW4 6DL  
Phone: 44-20-8538-1100  
Fax: 44-20-8577-4170  
[sales@pharosmarine.com](mailto:sales@pharosmarine.com)

**Automatic Power, Inc.**  
1340 Westbank Expressway  
Westwego, LA USA 70094  
Phone: 504-347-2384  
Fax: 504-348-2306  
[dcummiskey@automaticpower.com](mailto:dcummiskey@automaticpower.com)

**HOUSTON  
MAIN OFFICE & FACTORY**  
213 Hutcheson St.  
Houston, TX USA 77003  
P.O Box 230738  
Phone: 713-228-5208  
Fax: 713-228-3717  
[sales@automaticpower.com](mailto:sales@automaticpower.com)

**Automatic Power, Inc.**  
26 Pizarro Avenue  
Novato, CA USA 94949  
Phone: 415-382-6296  
Fax: 415-382-6299  
[dolantp@aol.com](mailto:dolantp@aol.com)

**AB Pharos Marine Pte Ltd.**  
35 Tannery Road  
05-05 Tannery Block, **Singapore** 347740  
Phone: 65-6-747-9325  
Fax: 65-6-746-0478  
[abpharos@singnet.com.sg](mailto:abpharos@singnet.com.sg)

**Automatic Power, Inc.**  
204 Parkway Drive  
Williamsburg, VA USA 23185  
Phone: 757-253-2817  
Fax: 757-220-8166  
[APatlantic@aol.com](mailto:APatlantic@aol.com)