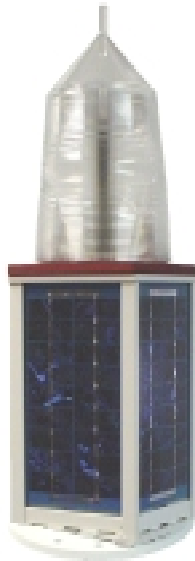


FA-249801 SELF-CONTAINED LIGHT



Pharos Marine 
Automatic Power



Featuring a highly efficient Fresnel-type acrylic drum lens system, the FA-249801 is a rugged & compact marine signal lantern. It is particularly suited for applications where there is little sun.

RANGE

See the next page for example locations. Contact Automatic Power to get a complete set of tables for your location.

FLASH CHARACTERISTICS

Preset at factory to customer specifications. 255+1 special programmable position. Photocell and all selector switches are located on the top of the LED assembly and are accessible by removing the lens from the quick-release fixture.

CURRENT SETTING

Preset at factory to customer specifications. Current adjustable by the selector switch in the same way as the flash characteristics.

Form No: 011510D

ELECTRONICS

- High-efficiency TracSwitcher current controls. 82% of the battery current reaches the LED array on flash. 2 milliamp idle current between flashes.
- Standard 6-volt system giving greater flexibility in selection of batteries.
- Software programmable: Photocell, 365 day timer, low voltage disconnect, special flash rhythm, specialized current settings and solar charge control voltage setting.

LENS

- 155mm 360° visibility acrylic, high efficiency Fresnel lens with an 8 degree vertical divergence. Unit may be supplied with colored lenses to enhance the daytime signaling performance.

LEDS

- State of the art high flux STABRITE LED unit. LEDs mounted in a cluster to approximate a marine signal lamp located at the focal point of the lens. Life expectancy in excess of 100,000 hours depending on current density.

BATTERY OPTIONS

- 32 Amp-Hr 6Volt battery pack or 16 Amp-Hr 6 Volt battery pack for cold climates.

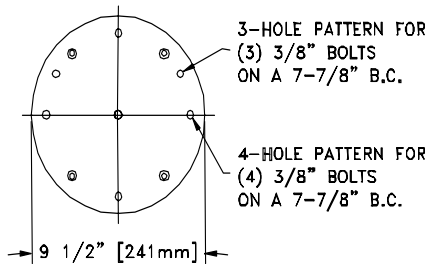
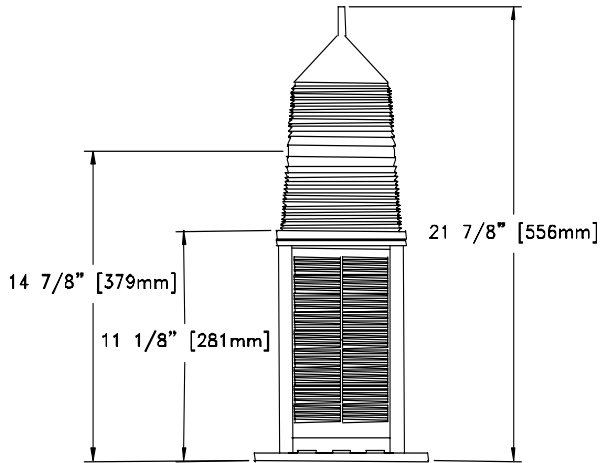
CONSTRUCTION

- Corrosion resistant & watertight with hydrophobic vent in the battery compartment. Extruded aluminum frame with UV & salt water resistant paint. Tamper resistant screws.
- Four, 3.2 watt, heavy-duty tempered glass-EVA encapsulated solar modules designed for extended service in the marine environment.
- Solar charge controller included.

Patent No.: US 7,111,961 B2



FA-249801 SELF-CONTAINED LIGHT



WEIGHT

- With 32 Amp-Hr battery 27lb / 12 kg
- With 16 Amp-Hr battery 21lb / 10 kg

Typical Performance:

Nassau, Bahamas

0.4 – 3.6 Flash Code @T=.85

	Red	Green	White	Yellow
Range mi.	6.6	6.3	5.4	5.5
Candela	88	77	47	51

0.5 – 2.0 Flash Code @T=.85

	Red	Green	White	Yellow
Range mi.	6.6	6.5	5.6	5.5
Candela	87	85	54	50

Spain

0.4 – 3.6 Flash Code @T=.74

	Red	Green	White	Yellow
Range mi.	4.4	4.1	3.4	3.7
Candela	49	40	23	29

0.5 – 2.0 Flash Code @T=.74

	Red	Green	White	Yellow
Range mi.	5.1	4.9	4.1	4.3
Candela	82	72	41	46

Venice, Italy

0.4 – 3.6 Flash Code @T=.74

	Red	Green	White	Yellow
Range mi.	3.2	3.0	2.0	2.6
Candela	19	16	5	11

0.5 – 2.0 Flash Code @T=.74

	Red	Green	White	Yellow
Range mi.	4.0	3.7	3.2	3.4
Candela	38	29	18	22

www.automaticpower.com

Pharos Marine Ltd.
Steyning Way, Hounslow
Middlesex, **England** TW4 6DL
Phone: 44-20-8538-1100
Fax: 44-20-8577-4170
sales@pharosmarine.com

**HOUSTON
MAIN OFFICE & FACTORY**
213 Hutcheson St.
Houston, TX USA 77003
P.O Box 230738
Phone: 713-228-5208
Fax: 713-228-3717
sales@automaticpower.com

AB Pharos Marine Pte Ltd.
35 Tannery Road
05-05 Tannery Block, **Singapore** 347740
Phone: 65-6-747-9325
Fax: 65-6-746-0478
abpharos@singnet.com.sg

Automatic Power, Inc.
1340 Westbank Expressway
Westwego, LA USA 70094
Phone: 504-347-2384
Fax: 504-348-2306
dcummiskey@automaticpower.com

Automatic Power, Inc.
26 Pizarro Avenue
Novato, CA USA 94949
Phone: 415-382-6296
Fax: 415-382-6299
dolantp@aol.com

Automatic Power, Inc.
204 Parkway Drive
Williamsburg, VA USA 23185
Phone: 757-253-2817
Fax: 757-220-8166
APatlantic@aol.com